

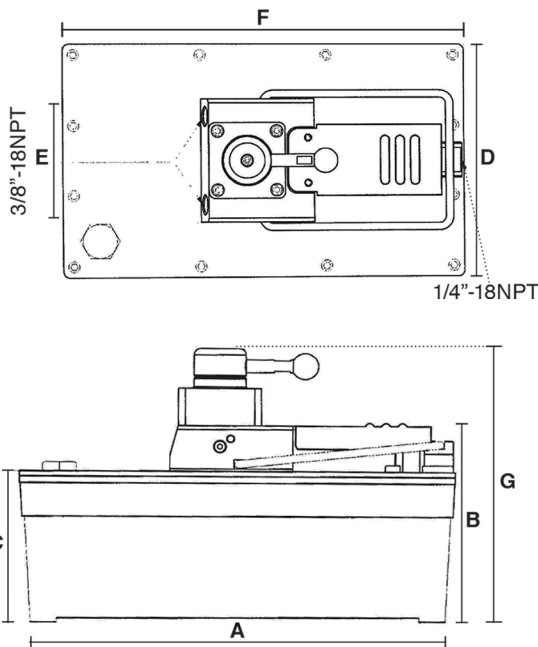


# Air Hydraulic Pump with 3 Position 4 Way Valve

**Model: ZAP 4M Series**  
**Air Pressure Range: 80-140 psi**  
**Settings: Up to 10,000 psi**



**ZAP-101-4M**



## Usage:

The three position four way valve installed on this pump makes it extremely versatile and thus can be found anywhere from a shop powering a double acting press to out in the field helping power a building lift.

## Special Features:

1. Design based on work proven ZAP series pump.
2. Pressure relief valve, hydraulic pickup filter, hydraulic output filter, and air inlet filter protect pump and hydraulic components from damage.
3. Can be used anywhere compressed air is available.
4. Manufactured for years of trouble free service and can be completely rebuilt with Zinko rebuild kits.
5. High fluid output utilizing minimal air input is made possible with the usage of quality lightweight internal components engineered to maximize flow rate, outperforming competitor's pumps almost two to one.
6. 4M series pumps are available in many different configurations including various sized aluminum, steel, and polyethylene reservoirs making these pumps capable of powering many types of hydraulic components.
7. It is highly recommended that an air filter, regulator, and lubricator are used in conjunction with all of Zinko's air powered products. P/N: FRL-212N.

• Highly recommended an air filter, regulator, and lubricator are used in conjunction with all of Zinko's air powered products.

**FRL-212N-1**



Model Number	Oil Capacity (in <sup>3</sup> )	Pressure Rating (psi)	Output Flow Rate (in <sup>3</sup> / min)		Air Pressure Range (psi)	Dimensions (in)							Oil Port (in)	Weight (lbs)
			No Load	Load		A	B	C	D	E	F	G		
ZAP-101-4M	98	10,000	77	13	80-140	8.05	6.04	4.53	9.53	2.38	4.36	3.56	3/8" NPT	25
ZAP-101P-4M	98	10,000	77	13	80-140	8.05	6.04	4.53	9.53	2.38	4.36	3.56	3/8" NPT	24
ZAP-102-4M	183	10,000	77	13	80-140	8.30	6.29	4.78	12.00	2.38	5.63	3.87	3/8" NPT	31
ZAP-103-4M	305	10,000	77	13	80-140	8.30	6.29	4.78	12.00	2.38	8.00	3.87	3/8" NPT	43
ZAP-103P-4M	305	10,000	77	13	80-140	8.30	6.29	4.78	12.00	2.38	8.00	3.87	3/8" NPT	42
ZAP-104-4M	454	10,000	77	13	80-140	10.63	8.63	7.11	10.82	2.38	9.21	3.59	3/8" NPT	43