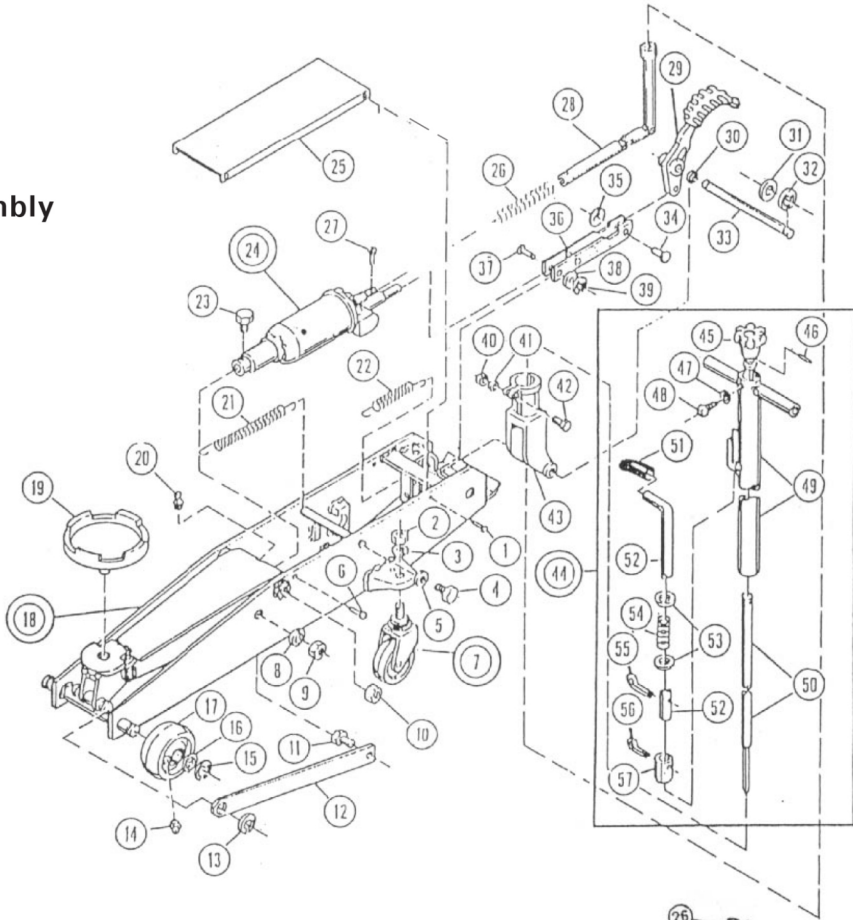
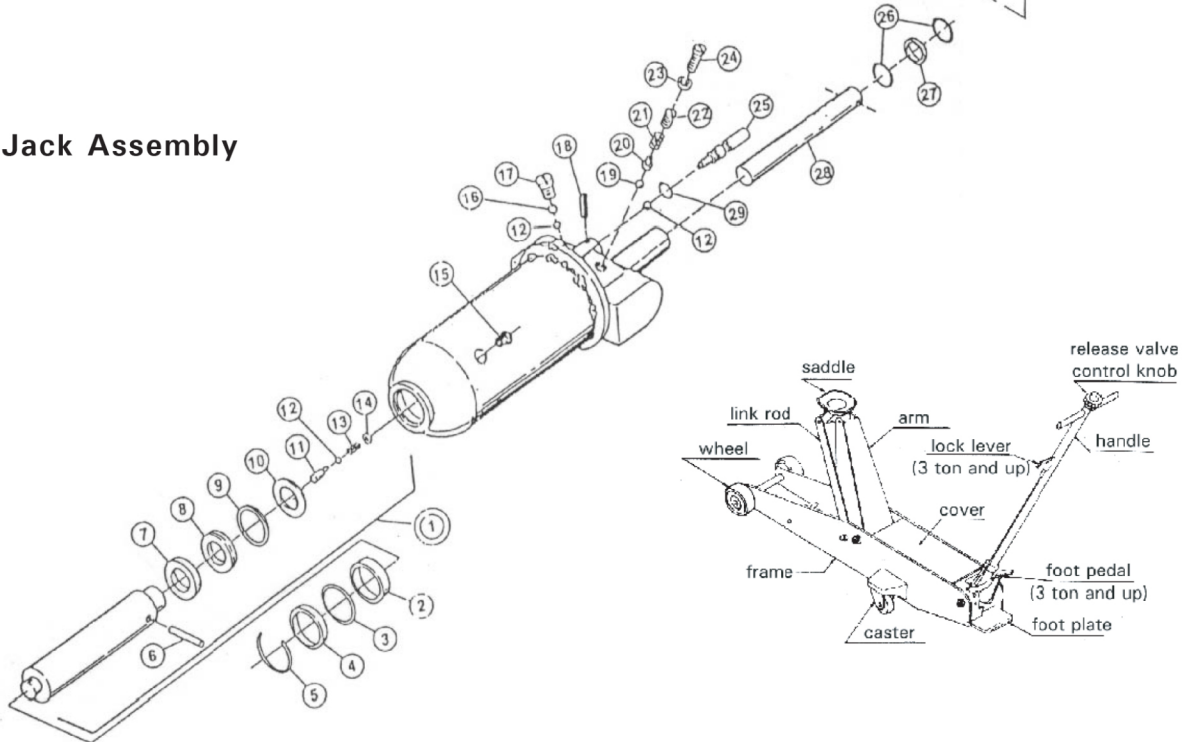


Frame Assembly



Jack Assembly





ZASJ Series Parts Breakdown

Toll Free: 1-800-579-8088 Web: www.zinko.com

REV 060116 page 2 of 3

Frame Assembly

| # | DESCRIPTION | 30 Ton 9040030- | 50 Ton 9040050- | 100 Ton 9040100- |
|----|-----------------------|--------------------|--------------------|---------------------|
| 01 | Rivet | 01 | 01 | 01 |
| 02 | Nut | 02 | 02 | 02 |
| 03 | Spring Washer | 03 | 03 | 03 |
| 04 | Bolt | 04 | 04 | 04 |
| 05 | Spring Washer | 05 | 05 | 05 |
| 06 | Screw | 06 | 06 | 06 |
| 07 | Rear Wheel Assy | 07 | 07 | 07 |
| 08 | Spring Washer | 03 | 03 | 03 |
| 09 | Nut | 09 | 09 | 09 |
| 10 | Nut | 09 | 09 | 09 |
| 11 | Link Rod Bolt | 10 | 10 | 10 |
| 12 | Link Rod | 12 | 12 | 12 |
| 13 | Stopper Ring | 13 | 13 | 13 |
| 14 | Grease Nipple | 14 | 14 | 14 |
| 15 | Stopper Ring | 13 | 13 | 13 |
| 16 | Front Collar | 16 | 16 | 16 |
| 17 | Front Wheel | 17 | 17 | 17 |
| 18 | Frame & Lift Arm Assy | 18 | 18 | 18 |
| 19 | Saddle | 19 | 19 | 19 |
| 20 | Grease Nipple | 20 | 20 | 20 |
| 21 | Return Spring | 21 | 21 | 21 |
| 22 | Pedal Spring | 22 | 22 | 22 |
| 23 | Bolt | 23 | 23 | 23 |
| 24 | Power Unit Assy | 24 | 24 | 24 |
| 25 | Cover | 25 | 25 | 25 |
| 26 | Spring | 26 | 26 | 26 |
| 27 | Bolt | 04 | 04 | 04 |

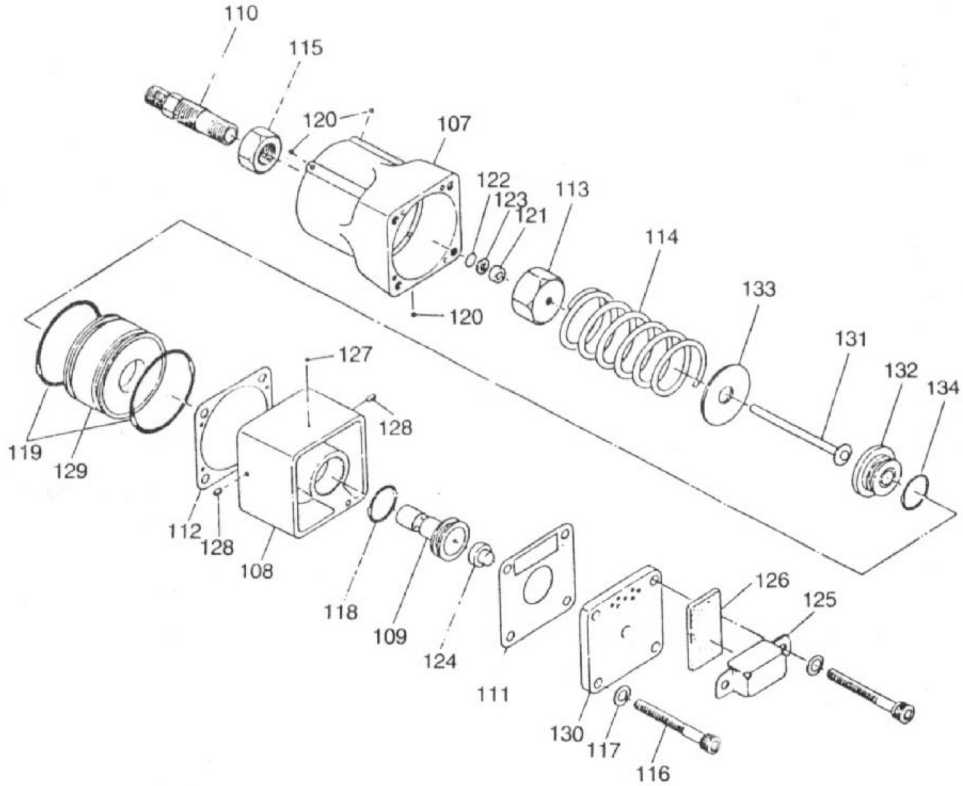
| # | DESCRIPTION | 30 Ton 9040030- | 50 Ton 9040050- | 100 Ton 9040100- |
|----|------------------|--------------------|--------------------|---------------------|
| 28 | Universal Joint | 28 | 28 | 28 |
| 29 | Pedal Spring | 29 | 29 | 29 |
| 30 | Dry Bearing | 30 | 30 | 30 |
| 31 | Washer | 31 | 31 | 31 |
| 32 | E-Ring | 32 | 32 | 32 |
| 33 | Shaft | 33 | 33 | 33 |
| 34 | Link Pin | 34 | 34 | 34 |
| 35 | Push Nut | 35 | 35 | 35 |
| 36 | Link | 36 | 36 | 36 |
| 37 | Pump Plunger Pin | 37 | 37 | 37 |
| 38 | Washer | 31 | 31 | 31 |
| 39 | Stopper Ring | 39 | 39 | 39 |
| 40 | Nut | 09 | 09 | 09 |
| 41 | Washer | 31 | 31 | 31 |
| 42 | Bolt | 04 | 04 | 04 |
| 43 | Handle Socket | 43 | 43 | 43 |
| 44 | Handle Assy | 44 | 44 | 44 |
| 45 | Grip | 45 | 45 | 45 |
| 46 | Spring Pin | 46 | 46 | 46 |
| 47 | Spring Washer | 08 | 08 | 08 |
| 48 | Screw | 06 | 06 | 06 |
| 49 | Handle | 49 | 49 | 49 |
| 50 | Release Rod | 50 | 50 | 50 |
| 51 | Tube | 51 | 51 | 51 |
| 52 | Lever | 52 | 52 | 52 |
| 53 | Washer | 31 | 31 | 31 |
| 54 | Lock Spring | 54 | 54 | 54 |
| 55 | Cotter Pin | 55 | 55 | 55 |
| 56 | Cotter Pin | 55 | 55 | 55 |
| 57 | Lock Pin | 57 | 57 | 57 |

Jack Assembly

| # | DESCRIPTION | 30 Ton 9040030- | 50 Ton 9040050- | 100 Ton 9040100- |
|----|--------------------|--------------------|--------------------|---------------------|
| 01 | Ram Assy | P01 | P01 | P01 |
| 02 | Stopper Ring | P02 | P02 | P02 |
| 03 | Cylinder O-ring | P03 | P03 | P03 |
| 04 | Stuffing Ring | P04 | P04 | P04 |
| 05 | Snap Ring | P05 | P05 | P05 |
| 06 | Horizontal Pin | P06 | P06 | P06 |
| 07 | Packing Seat | P07 | P07 | P07 |
| 08 | *Back Up Ring | | | |
| 09 | *Ram O-Ring | | | |
| 10 | Ram O-Ring Stopper | P10 | P10 | P10 |
| 11 | Vertical Pin | P11 | P11 | P11 |
| 12 | Ball | P12 | P12 | P12 |
| 13 | Ram Spring | P13 | P13 | P13 |
| 14 | Ram Spring Stopper | P14 | P14 | P14 |
| 15 | *Oil Plug | | | |

| # | DESCRIPTION | 30 Ton 9040030- | 50 Ton 9040050- | 100 Ton 9040100- |
|----|--------------------|--------------------|--------------------|---------------------|
| 16 | Ball | P16 | P16 | P16 |
| 17 | Plug | P17 | P17 | P17 |
| 18 | Spring Pin | P18 | P18 | P18 |
| 19 | Ball | P19 | P19 | P19 |
| 20 | Ball Seat | P20 | P20 | P20 |
| 21 | Spring | P21 | P21 | P21 |
| 22 | Safety Valve Plug | P22 | P22 | P22 |
| 23 | *Packing | | | |
| 24 | Safety Valve Plug | P24 | P24 | P24 |
| 25 | Release Stem | P25 | P25 | P25 |
| 26 | *Pump O-Ring | | | |
| 27 | *Back Up Ring | | | |
| 28 | Pump Plunger | P28 | P28 | P28 |
| 29 | *O-Ring | | | |
| RP | Repair Kit (All *) | RP | RP | RP |

Air Pump



| Part # | Description |
|---------------|---------------|
| 9060220-P 107 | Cylinder |
| 9060220-P 108 | Valve Body |
| 9060220-P 109 | Valve |
| 9060220-P 110 | Cylinder Bolt |
| 9060220-P 111 | *Gasket A |
| 9060220-P 112 | *Gasket B |
| 9060220-P 113 | Seal Nut |
| 9060220-P 114 | Spring |
| 9060220-P 115 | Nut |
| 9060220-P 116 | Cap Screw |
| 9060220-P 117 | Spring Washer |
| 9060220-P 118 | *O-Ring |
| 9060220-P 119 | *O-Ring |
| 9060220-P 120 | Ball |
| 9060220-P 121 | Seal Ring |

| Part # | Description |
|---------------|----------------------|
| 9060220-P 122 | *O-Ring |
| 9060220-P 123 | *Backup Ring |
| 9060220-P 124 | Pilot Piston Cushion |
| 9060220-P 125 | Silent Cap |
| 9060220-P 126 | Soundproofers (B) |
| 9060220-P 127 | Ball |
| 9060220-P 128 | Screw |
| 9060220-P 129 | Piston |
| 9060220-P 130 | Head Cap |
| 9060220-P 131 | Piston Rod |
| 9060220-P 132 | Piston Plug |
| 9060220-P 133 | Piston Plate |
| 9060220-P 134 | O-Ring |
| 9060220S-RP | Repair Kits (All *) |