

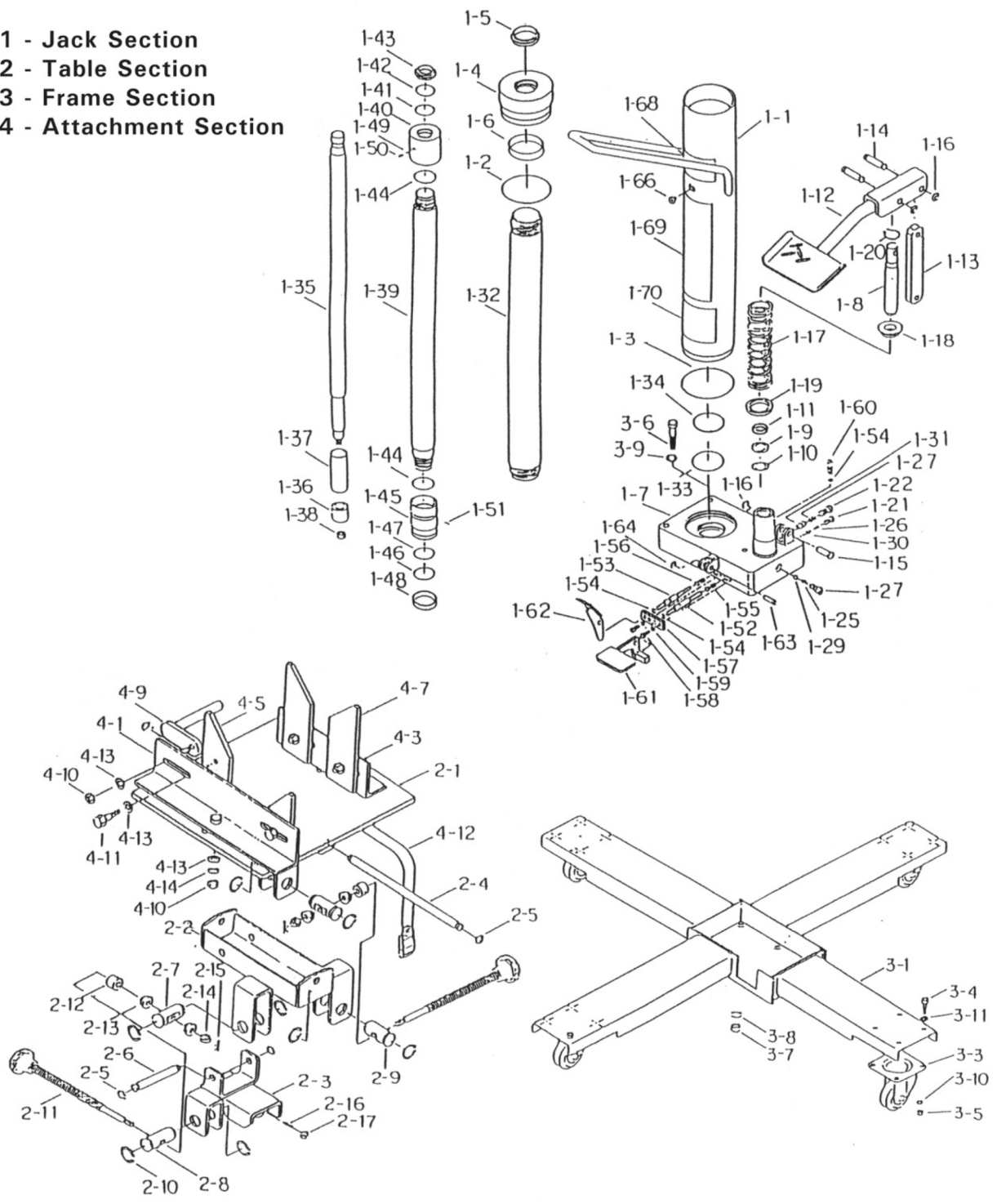


ZML-500 Parts Breakdown

Toll Free: 1-800-579-8088 Web: www.zinko.com

REV 060116 page 1 of 2

- 1 - Jack Section
- 2 - Table Section
- 3 - Frame Section
- 4 - Attachment Section





ZML-500 Parts Breakdown

Toll Free: 1-800-579-8088 Web: www.zinko.com

REV 060116 page 2 of 2

1. Jack Section

Prod. #	Kit #	Description
9140005-100		Jack Assy
9140005-101		Casing
9140005-102	0,1	Casing A
9140005-103	0,1	Casing B
9140005-104		Head
9140005-105	0,1	Dust Seal
9140005-106		Bush
9140005-107		Bed
9140005-108		Pump Plunger
9140005-109	0,2	Pump Backup Ring
9140005-110	0,2	Pump O-Ring
9140005-111	0,2	Pump Dust Seal
9140005-112		Pump Pedal
9140005-113		Pump Stay
9140005-114		Plunger Pin
9140005-115		Stay Pin
9140005-116		E-Ring
9140005-117		Pump Return Spring
9140005-118		Stopper Ring A
9140005-119		Stopper Ring B
9140005-120		C-Ring
9140005-121		Plug
9140005-122		Plug
9140005-123		Bolt
9140005-124		Valve Spring
9140005-125		Valve Spring
9140005-126		Valve Spring

Prod. #	Kit #	Description
9140005-127		Valve Spring
9140005-128		Valve Ball
9140005-129		Valve Ball
9140005-130		Check Valve
9140005-131		Check Valve
9140005-132		Cylinder
9140005-133	0,1	Cylinder O-Ring
9140005-134	0,1	Backup Ring
9140005-135	4	1st Ram
9140005-136	4	1st Ram Guide Ring
9140005-137	4	1st Ram Guide Valve
9140005-138	4	Nut
9140005-139	5	2nd Ram
9140005-140	5	2nd Ram Head
9140005-141	0,1,5	O-Ring
9140005-142	0,1,5	Backup Ring
9140005-143	0,1,5	Dust Seal
9140005-144	0,1,5	O-Ring
9140005-145	5	2nd Ram Guide Ring
9140005-146	0,1,5	O-Ring
9140005-147	0,1,5	Backup Ring
9140005-148	5	Ring
9140005-149	5	Ball
9140005-150	5	Screw
9140005-151	5	Screw
9140005-152		Release Push Pin A
9140005-153		Release Push Pin B

Prod. #	Kit #	Description
9140005-154	0,3	Release O-Ring
9140005-155		Push Pin Spring A
9140005-156		Push Pin Spring B
9140005-157		Push Pin Stopper
9140005-158		Bolt
9140005-159		Spring Washer
9140005-160		Plug
9140005-161		Release Pedal A
9140005-162		Release Pedal B
9140005-163		Pedal Pin
9140005-164		E-Ring
9140005-165		Mesh
9140005-166	0,1	Oil Plug
9140005-167		Jack Oil
9140005-168		Decal
9140005-169		Warning Label
9140005-170		Caution Plate

Repair Parts Kits for Jack Section

Prod. #	Kit #	Description
9140005-RP	0	Repair Kit
9140005-SJ	1	Seal Kit for Jack
9140005-SP	2	Seal Kit for Pump
9140005-SV	3	Seal Kit for Valve
9140005-R1	4	1st Ram Assy
9140005-R2	5	2nd Ram Assy

(Including all items of the same Kit #)

2. Table Section

Prod. #	Description
9140005-200	Table Assy
9140005-201	Table
9140005-202	Table Plate A
9140005-203	Table Plate B
9140005-204	Shaft A
9140005-205	C-Ring
9140005-206	Shaft B
9140005-207	Shaft C
9140005-208	Shaft D
9140005-209	Shaft E
9140005-210	C-Ring
9140005-211	Angle Adj. Handle
9140005-212	Collar
9140005-213	Trust Bearing
9140005-214	Nut
9140005-215	Pin
9140005-216	Screw
9140005-217	Nut

3. Frame Section

Prod. #	Description
9140005-300	Frame Assy
9140005-301	Frame
9140005-303	Caster
9140005-304	Bolt
9140005-305	Nut
9140005-306	Bolt
9140005-307	Nut
9140005-308	Spring Washer
9140005-309	Washer
9140005-310	Spring Washer
9140005-311	Washer

4. Attachment Section

Prod. #	Description
9140005-400	Attachment Assy
9140005-401	Bracket A
9140005-403	Bracket B
9140005-405	Attachment A
9140005-407	Attachment B
9140005-409	Attachment C
9140005-410	Nut
9140005-411	Bolt
9140005-412	Belt
9140005-413	Washer
9140005-414	Spring Washer