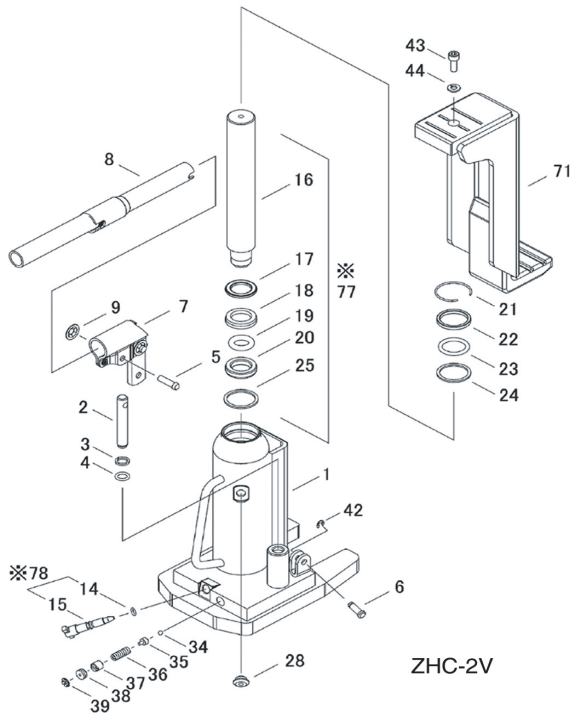




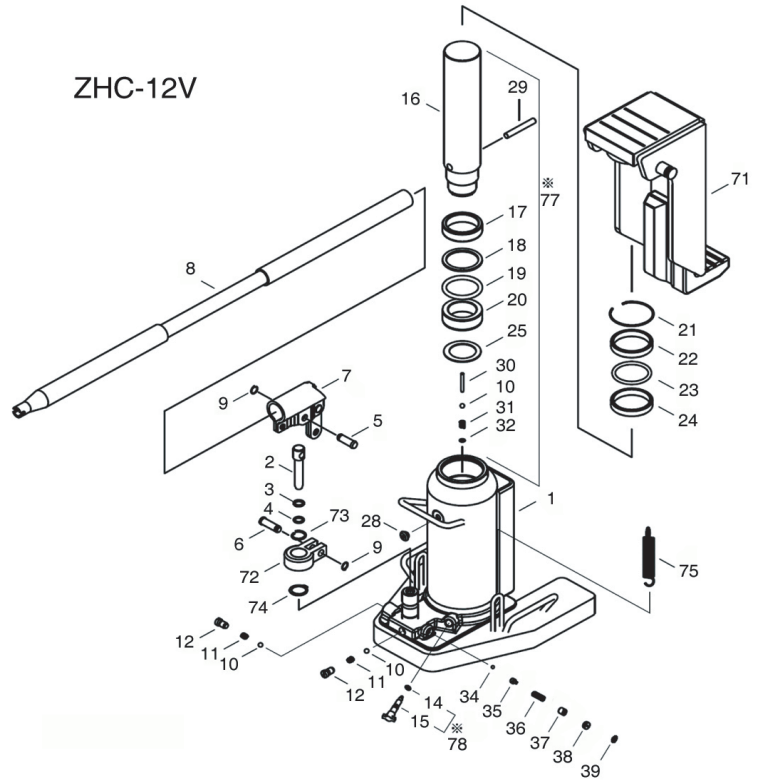
# ZHC Series Parts Breakdown

Toll Free: 1-800-579-8088 Web: [www.zinko.com](http://www.zinko.com)

REV 020910



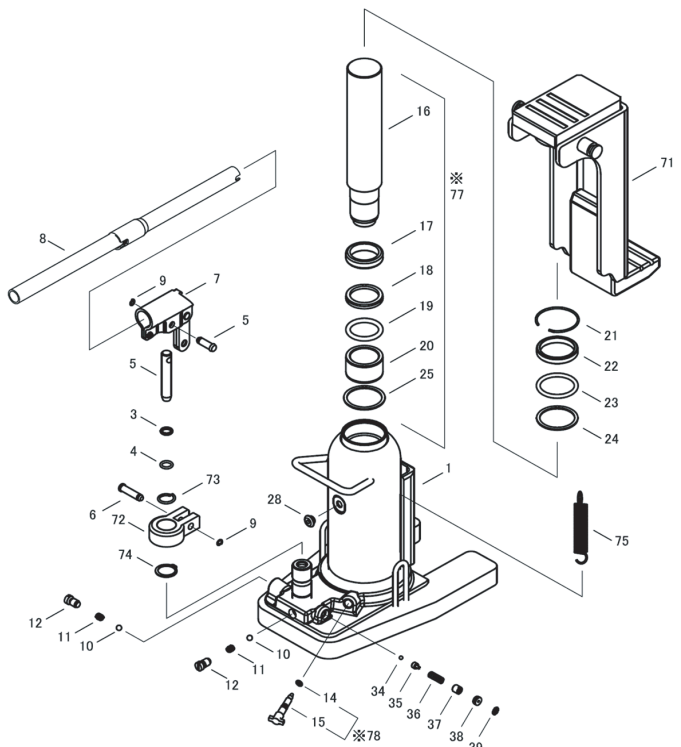
ZHC-2V



ZHC-12V

#	Description	#	Description
1	Body Assembly	25	Ram Guide Ring
2	Pump Plunger	28	#* Oil Plug
3	#* Pump Backup Ring	29	Horizontal Pin
4	#* Pump Packing	30	Vertical Pin
5	#Pump Plunger Pin	31	Ram Spring
6	#Pump Stay Pin	32	Ram Spring Stopper Ring
7	Handle Socket Assy	34	#Safety Valve Ball
8	Handle	35	#S.V. Ball Seat
9	#Snap Ring/Push Nut	36	#Safety Valve Spring
10	#Valve Ball	37	#Adj. Screw Safety Valve
11	#Valve Spring	38	#Safety Valve Plug
12	#Valve Plug	39	#Push Nut
14	#* Release Packing	42	E-Ring
15	#Release Assembly	43	Bolt
16	Ram	44	Washer
17	Ram Packing Seat	71	Hanger
18	*Ram Backup Ring	72	#Pump Base
19	*Ram Packing	73	#Pump Stopper A
20	Ram Guide Ring	74	#Pump Stopper B
21	Snap Ring	75	#Return Spring
22	Stuffing Ring	77	Ram Assembly
23	#* Cylinder Packing	78	Release Assembly
24	Stopper Ring	RP	Repair Kits (All *)

# Same parts for 5V & 12V.



ZHC-5V