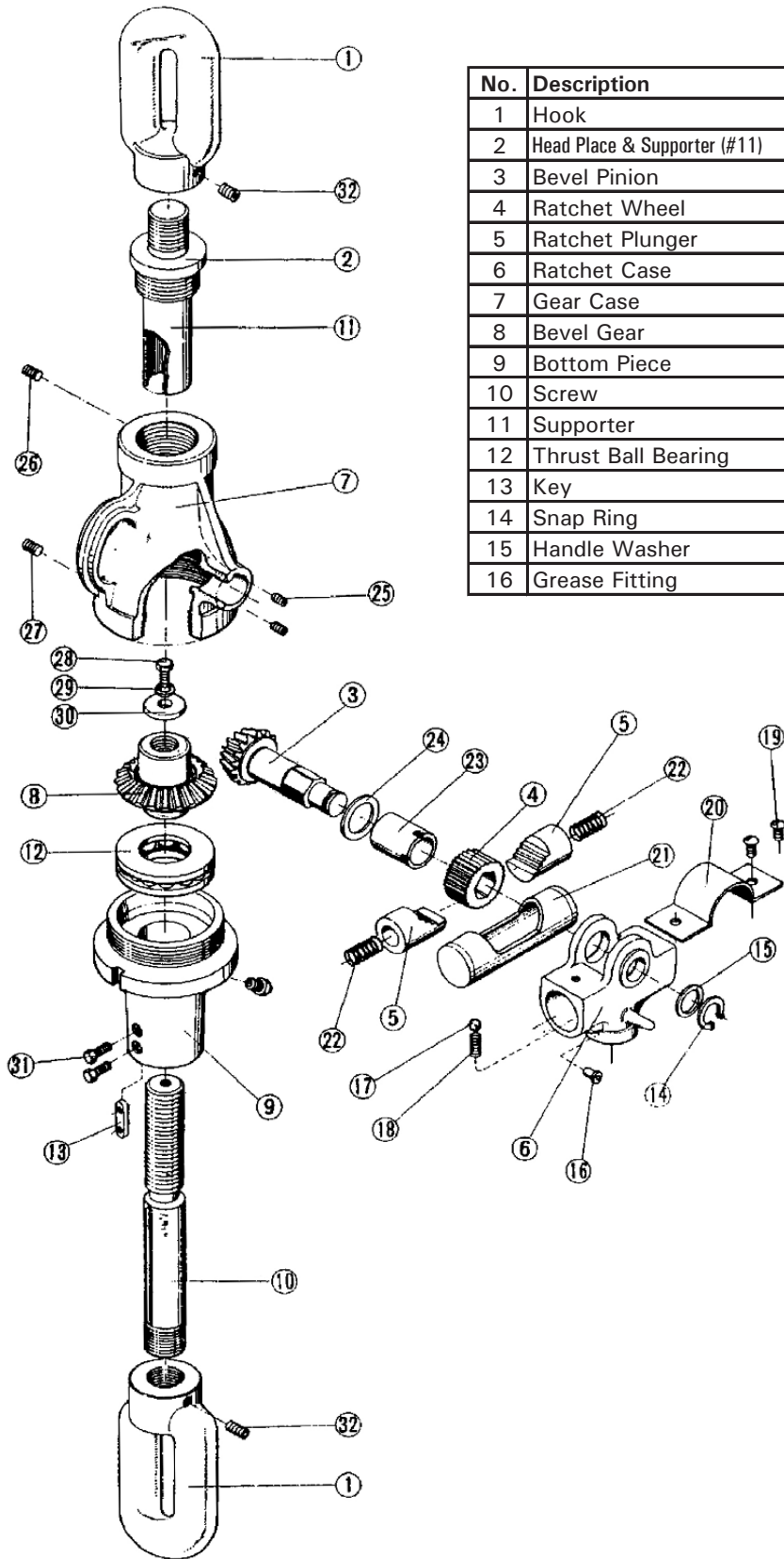




# ZPL-2510 Parts Breakdown

Toll Free: 1-800-579-8088 Web: [www.zinko.com](http://www.zinko.com)

REV 091407



No.	Description
1	Hook
2	Head Place & Supporter (#11)
3	Bevel Pinion
4	Ratchet Wheel
5	Ratchet Plunger
6	Ratchet Case
7	Gear Case
8	Bevel Gear
9	Bottom Piece
10	Screw
11	Supporter
12	Thrust Ball Bearing
13	Key
14	Snap Ring
15	Handle Washer
16	Grease Fitting

No.	Description
17	Steel Ball
18	Spring
19	Machine Screw
20	Cover Plate
21	Liner
22	Spring
23	Bushing
24	Pinion Washer
25	Set Screw A
26	Set Screw B
27	Set Screw C
28	Hex Bolt
29	Spring Washer
30	Stopper Washer
31	Hex Bolt
32	Set Screw D
33	Handle Bar (not shown)