



# Air Pumps

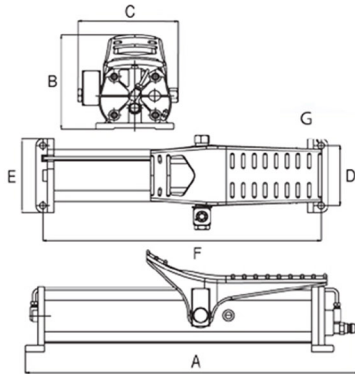
**Model: ZAP-40**

**Air Pressure Range: 40-140 psi**

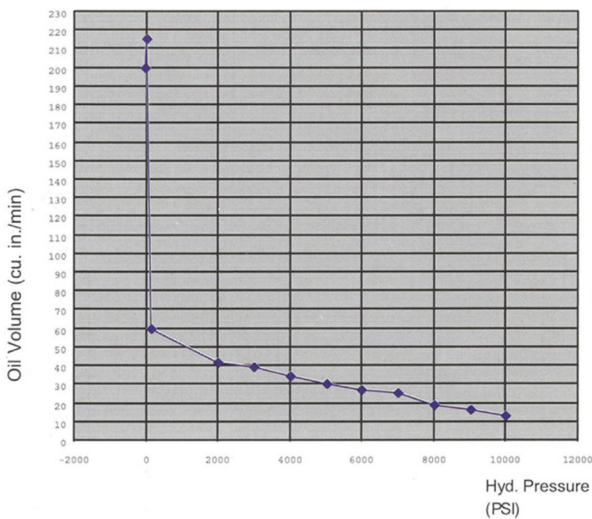
**Settings: Up to 10,000 psi**



**ZAP-40**



ZAP-40 Pressure vs volume based on 100 psi air pressure



## Usage:

When connected to your shop air lines, these versatile pumps can safely deliver up to 10,000 psi (700 bar) of hydraulic pressure to cylinders, small presses, and hydraulic tools for lifting, crimping, pipe cutting, pulling, and many other applications.

## Special Features:

1. Convenient 360° swivel hose connector for better hose control and increase the flexibility for work in any position.
2. Exclusive "air-thrust" design rapidly takes up slack, putting the cylinder rod or tool in work position within seconds.
3. Heavy-duty anodized aluminum housing is extremely durable.
4. Portable to any job site equipped with compressed air. Takes the place of manual pumps reducing operator fatigue and increasing productivity.
5. Compact, lightweight design for easy handling and storage.



Model Number	Oil Capacity (in <sup>3</sup> )	Pressure Rating (psi)	Output Flow Rate (in <sup>3</sup> / min)		Air Pressure Range (psi)	Dimensions (in)						Oil Port (in)	Weight (lbs)
			No Load	Load		A	B	C	D	E	F		
ZAP-40	37	10,000	215	12	40-140	18.14	5.51	5.70	3.54	4.33	15.98	3/8" NPT	15