



Toll Free: 1-800-579-8088 Web: www.zinko.com

MODEL

ZJS-1218 & ZJS-1228

Jack Stand

Important Receiving Instructions

Visually inspect all components for shipping damage. Shipping damage is NOT covered by warranty. If shipping damage is found, notify carrier at once. The carrier is responsible for all repairs and replacement costs during product shipping.

Owner's Responsibility

The owner and/or operator shall have an understanding of these operating instructions and warnings before operating the underhoist stand(s). Warning information shall be emphasized and understood. If the operator is not fluent in English, the instructions should be read to and discussed with the operator in the operator's native language by the purchaser/owner, making sure that the operator comprehends its content.

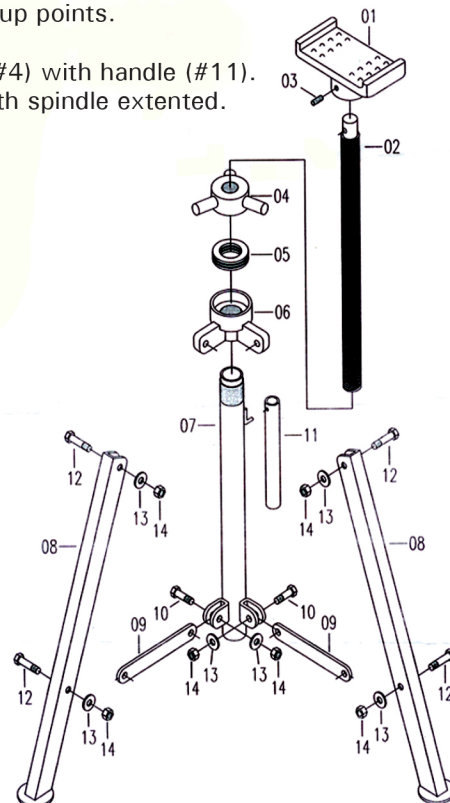


1. Read, understand, and follow these instructions.
2. Wear eye protection that meets the requirements of ANSI Z87.1 and OSHA.
3. **Inspect** the condition of the jack stand(s) before each use; **DO NOT** use a stand if it's damaged, altered, or in poor condition.
4. Use the stand on a hard, level surface. **A stand must have solid contact with the ground.**
5. Place the load on the center of the saddle, not on the outer lips.
6. **DO NOT exceed the rated capacity of the jack stand.**
7. Test the stability of the load.

Operating Instructions

- * Only use stand on a level concrete surface.
- * Make sure that the saddle (#1) is securely inserted and rotated for secure contact with load.
- * Never lower vehicle onto stands.
- * Always cradle load in center of saddle.
- * Only support vehicles at vehicle manufacturers recommended pick-up points.
- * Only load stand vertically.
- * Make final adjustments to stand height by turning swivel adapter (#4) with handle (#11).
- * Retract the spindle (#2) after each use. Do not move the stand with spindle extended.

No.	Description	No.	Description
01	Saddle	08	Legs
02	Spindle	09	Link
03	Set Screw	10	Screw
04	Swivel Adapter	11	Handle
05	T- Bearing	12	Screw
06	Bearing Base	13	Washer
07	Tube	14	Nut



Maintenance

Lubrication. (rust-resistant and supply of grease)
Completely eliminate dust and apply grease regularly to T-Bearing (#5) to prevent damage of spindle.

Grease to be used: **Daphne Eponex Grease EP No.1,**
Shell Alvania EP Grease 1 or equivalent.

Cleaning.

Jacks exposed to rain, sand, or grit-laden air should be cleaned prior to storage and use. Jack operating lever and load-bearing surfaces should be free of slippery materials and fluids.

Storing Jack. Jacks should be stored where protected from the elements, abrasive dust, and other damage.



PO Box 4903,
Ontario, CA 91761

www.zinkojack.com
Toll Free: 1-800-579-8088

Phone: (909) 230-4100
Fax: (909) 230-4137

REV 050216