



Toll Free: 1-800-579-8088 Web: www.zinko.com

MODEL

ZPK-04 & ZPK-10

Portable Power Kits

## Operating Instructions & Repair Parts List

### Safety Precautions



Failure to read the following precautions may result in loss of load, damage or failure of equipment, resulting in property damage and/or personal injury.



All Warning Statements must be carefully observed to help prevent personal injury.

1. The owner of this set is responsible for it being installed and operated according to federal (OSHA), state, and local safety standards.
2. **Read, understand, and follow all safety precautions and instructions included with the set.** Safety-related decals must be installed, maintained, and replaced if they become hard to read.
3. Wear eye protection that meets ANSI Z87.1 and OSHA standards.
4. This is designed for vehicle body/frame applications. Using this equipment in an application for which it is not designed could result in overloading, reduced load capacity, reduced stability, and/or system failure.
5. **DO NOT OVERLOAD THE HYDRAULIC SYSTEM.** Creating pressure beyond the rated capacity of the pump and ram may result in personal injury. Overloading is indicated by bowing extension tubes or slipping attachments.
6. Attachments and extension tubes must be aligned and fully engaged so ram force is straight, avoiding an off-center load condition.

#### Hydraulic Hose Safety

1. Before operating the pump, tighten all hose connections using the correct tools. **DO NOT OVER TIGHTEN.** Connections need only be secure and leak-free. Over tightening can cause premature thread failure or high pressure fittings to split at pressures lower than their rated capacities.
2. Should a hydraulic hose ever rupture, burst, or need to be disconnected, immediately shut the pump off and open the control valve to release all pressure. **NEVER GRASP A LEAKING PRESSURIZED HOSE WITH YOUR HANDS.** The force of escaping hydraulic fluid could cause serious injury.
3. **DO NOT** subject the hose to any potential hazard such as fire, extreme cold or heat, sharp surfaces, or heavy impact. **DO NOT** allow the hose to kink, twist, curl, or bend so tightly that the fluid flow within the hose is blocked or reduced. **DO NOT** use the hose to move attached equipment. Periodically inspect the hose for wear because any of these conditions can damage the hose and result in personal injury.
4. Hose material and coupler seals must be compatible with the hydraulic fluid used. Hoses also must not come in contact with corrosive materials such as creosote-impregnated objects and some paints. Consult the manufacturer before painting a hose. **NEVER PAINT COUPLERS.** Hose deterioration due to corrosive material can result in personal injury.
5. Some components in this set do not match the maximum pressure rating of the pump and ram. **USE A PRESSURE GAUGE IN THE SYSTEM TO MONITOR HYDRAULIC PRESSURE.** Refer to the instructions in this document for *Typical Applications and Load Capacities*.

#### Pump Safety

1. **DO NOT EXCEED THE MAXIMUM CAPACITY OF THE PUMP OR TAMPER WITH THE INTERNAL HIGH PRESSURE RELIEF VALVE.** Creating pressure beyond the rated capacity can result in personal injury.
2. Completely retract the ram before opening the filler screw on the pump to add hydraulic fluid. An overfill can cause personal injury due to excess reservoir pressure created when rams are retracted.

#### Ram Safety

1. **DO NOT EXCEED THE MAXIMUM CAPACITY OF THE RAM.** Creating pressure beyond the rated capacity can result in personal injury.
2. **DO NOT SET POORLY-BALANCED OR OFF-CENTER LOADS ON THE RAM.** The load may tip and cause personal injury.

### Operating Instructions

#### Setup

The pump may be operated in a horizontal position or in a vertical position with the head pointing down as shown.

1. Assemble the hose between the pump and ram.
2. Determine the appropriate attachment for your application; assemble the attachment to the ram piston.

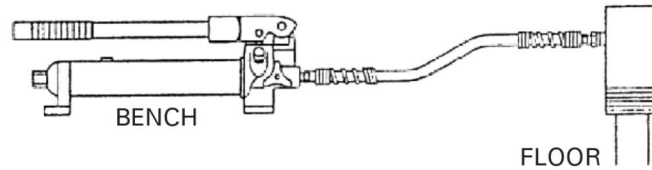
#### Bleeding Air From the System

Air can accumulate in the hydraulic system during the initial setup or after prolonged use causing the ram to respond slowly or in an unstable manner. To remove the air:

# Zinko Hydraulic Jack

## Model: ZPK-04 & ZPK-10

1. Place the ram at a lower level than the pump with the piston end pointing down.
2. Extend and retract the ram several times without putting a load on the system. Air will be released into the pump reservoir.
3. With the ram fully retracted, the pump sitting level, and no pressure in the hydraulic system, remove the pump's filler screw. Fill the reservoir with approved hydraulic fluid until the fluid level is within 1/2" from the top of the reservoir.



**IMPORTANT:** The use of extension tubes or off-center attachments greatly reduces the capacity of the hydraulic system. When using extension tubes, put the shortest tubes on the end.

Some components in this set do not match the maximum pressure rating of the pump and ram. **USE A PRESSURE GAUGE IN THE SYSTEM TO MONITOR HYDRAULIC PRESSURE.** Refer to the instructions in this document for *Typical Applications and Load Capacities*.

### Operation

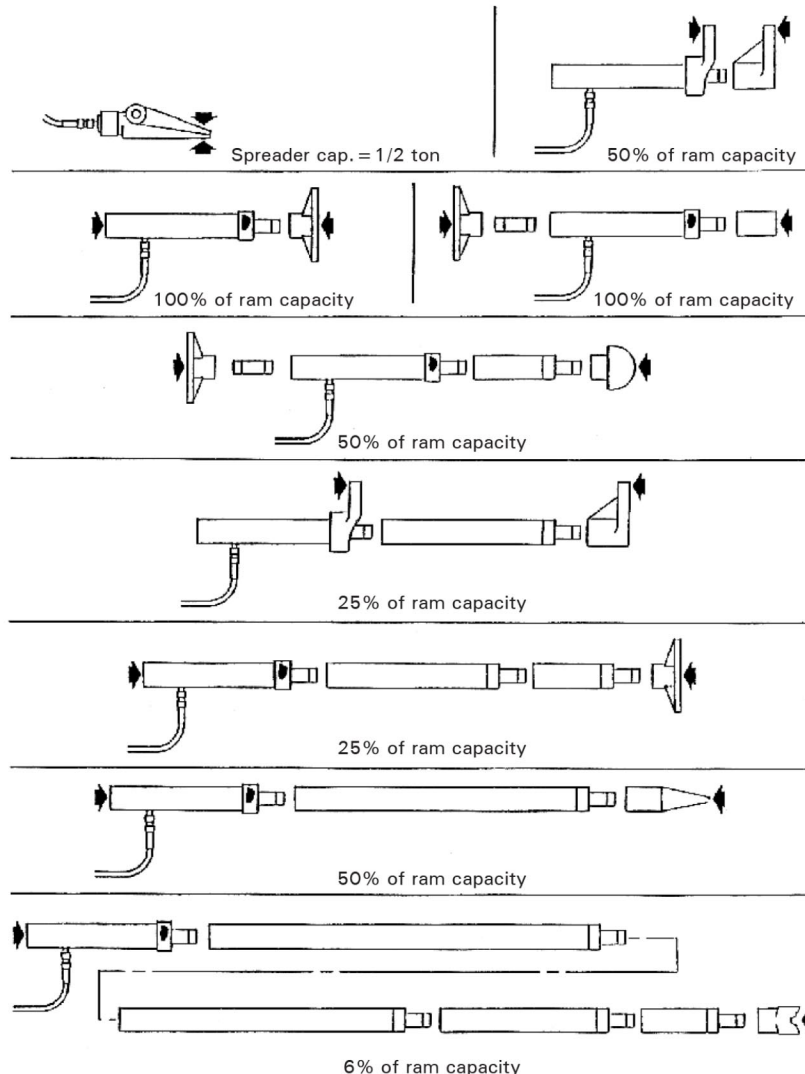
1. Turn the pump's release valve clockwise to a closed position. **IMPORTANT: HAND TIGHTEN THE VALVE ONLY.**
2. Work the pump handle up and down to send oil through the hose to the ram, causing the piston to extend to the work piece.
3. Monitor the pressure gauge while completing the application.

**NOTE:** The pump is equipped with an overload valve that will bypass oil back into the pump reservoir in an overload situation (when the system meets maximum pressure). In this case, continued pumping will have no effect on the system. If an overload system commonly occurs, a higher capacity set is needed.

4. To release pressure, slowly turn the release valve counterclockwise (the release speed is controlled by how fast the valve is opened).

### Typical Applications and Load Capacities

When offset attachments are used, the rated capacity of the hydraulic system is reduced 50%. For each extension tube used in the setup, the rated capacity is reduced another 50%. When using 2 or more extension tubes together, always position the shortest tube farthest away from the ram.



# Zinko Hydraulic Jack

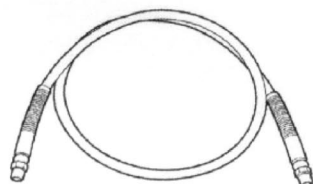
## Model: ZPK-04 & ZPK-10

**CAUTION** To prevent personal injury, release pump pressure and disconnect the hose from the pump before making repairs. Repairs must be performed in a dirt-free environment by qualified personnel who are familiar with this equipment. If the following solutions do not remedy the problem, take the product to an authorized service center for repair.

### Troubleshooting

PROBLEM	CAUSE	SOLUTION
Pump Loses Pressure	1. System components leaking.	1. Repair or replace as necessary.
Pump Not Delivering Fluid	1. Fluid level is low.	1. Check fluid level.
	2. Seats are worn.	2. Repair seats or replace pump body.
Pump Does Not Reach Rated Capacity	1. Low fluid level in reservoir.	1. Check fluid level.
	2. System components leaking.	2. Repair or replace as necessary.
	3. Fluid leaking past inlet or outlet checks.	3. Repair inlet or outlet checks, or replace high pressure piston seal.
Pump Handle has a "Spongy" Feel	1. Air trapped in system.	1. Refer to <i>Bleeding Air From the System</i> .
	2. Too much fluid in reservoir.	2. Check fluid level.
Pump will Not Build To Maximum Pressure (no visible leakage)	1. Check the air supply.	1. 100 psi (7 BAR) is required to obtain maximum pressure.
	2. Pressure regulator improperly adjusted (if so equipped).	2. Adjust according to instructions on <i>Operation</i> section.
Ram Piston Will Not Extend	1. Loose couplers.	1. Tighten couplers.
	2. Low fluid level in pump reservoir.	2. Fill and bleed the system.
	3. Ram seals leaking.	3. Replace worn seals. Look for excessive contamination or wear.
Ram Piston Extends Only Partially	1. Low fluid level in reservoir.	1. Fill and bleed system.
	2. Load is above capacity of system.	2. Use correct equipment.
Ram Piston Extends Slower Than Normal	1. Loose couplers.	1. Tighten couplers.
	2. Restricted hydraulic line or fitting.	2. Clean and replace if damaged.
	3. Pump not working correctly.	3. Repair or replace as necessary.
	4. Ram seals leaking.	4. Replace worn seals. Look for excessive contamination or wear.
Ram Does Not Hold Pressure	1. Leaky connection.	1. Clean, reseal with thread sealant, and tighten connection.
	2. Ram seals leaking.	2. Replace work seals. Look for excessive contamination or wear. Replace contaminated fluid.
	3. Pump or valve not working correctly.	3. Repair or replace as necessary.
Ram Leaks Hydraulic Fluid	1. Worn or damaged seals.	1. Replace work seals. Look for excessive contamination or wear. Replace contaminated fluid.
	2. Loose connection.	2. Clean, reseal with thread sealant, and tighten connection.
Ram Will Not Retract or Retracts Slower Than Normal	1. Pump release valve close.	1. Open pump release valve.
	2. Loose couplers.	2. Tighten couplers.
	3. Blocked hydraulic lines.	3. Clean and flush lines.
	4. Weak or broken retraction springs.	4. Send to service center for repair.
	5. Ram damaged internally.	5. Send to service center for repair.
	6. Pump reservoir too full.	6. Drain fluid to correct level.

### Optional Couplers and Fittings



**Hydraulic Hose** No. 92104-02  
Lightweight, rugged hose in 6' length.  
1/4" I.D. with 3/8" NPT end.  
Operating pressure: 10,000 psi.  
Min burst pressure: 20,000 psi.  
*Not recommended for use where heat or weld spatter conditions exist.*

**Quick Couplers**  
No. 9210104 - 1/4"  
No. 9210308 - 3/8"



Built for high pressures.  
Permit disconnecting hose without loss of oil.



No. 9210010-101  
Tee adapter for installing gauge between pump & hose coupling.  
1/4" & 3/8" NPTF female and 3/8" NPTF male. Weight: 8 oz.

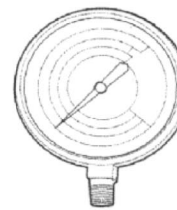
**Gauge & Fittings**



No. 9210010-102  
Swivel connector 3/8" NPT male, 3/8" NPSM female.



No. 9210010-103  
45° fitting. Male and female 1/4" NPT end.



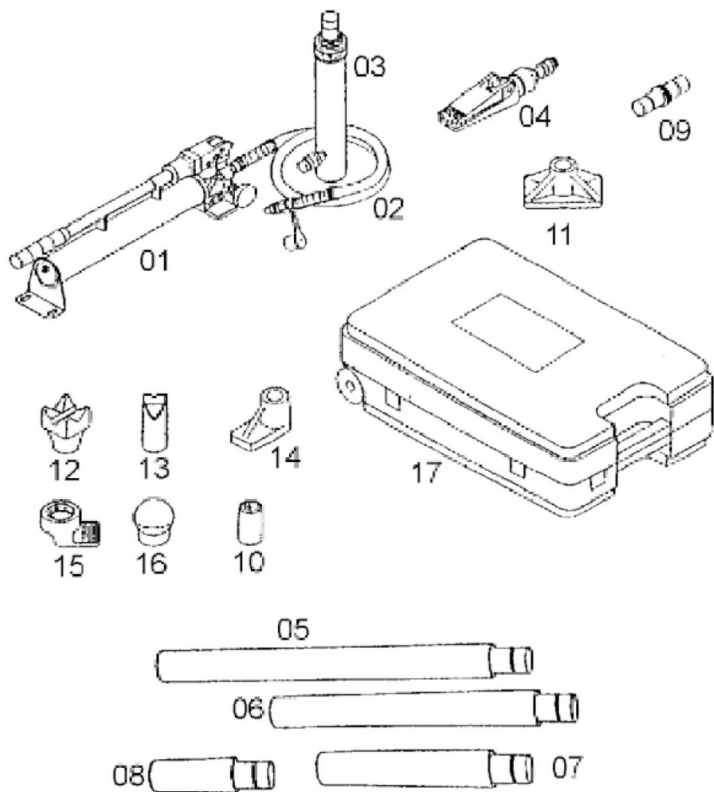
No. 9210010-104  
Pressure and tonnage gauge.  
Four scales: 0-10,000 psi, 0-5 ton and 0-25 ton. Has 3-1/2" diameter dial face.  
Weight: 8 oz.

# Zinko Hydraulic Jack

## Model: ZPK-04 & ZPK-10

### Model ZPK-04 4 Ton Set

Part Number	Description
92104 - 01	Hydraulic Pump (ZHP-18)
92104 - 02	Hose & 1/4" Coupler
92104 - 03	4 Ton Ram 4" Stroke (ZAR-044SP)
92104 - 04	Spreader Ram
92104 - 05	Extension Tubes - 16"
92104 - 06	Extension Tubes - 12"
92104 - 07	Extension Tubes - 8"
92104 - 08	Extension Tubes - 4"
92104 - 09	Male Connector
92104 - 10	Serrated Saddle
92104 - 11	Flat Base
92104 - 12	90° "V" Base
92104 - 13	Wedge Head
92104 - 14	Spreader Plunger Toe
92104 - 15	Spreader Ram Toe
92104 - 16	Rubber Flex Head
92104 - 17	Carrying Case



### Model ZPK-10 10 Ton Set

Part Number	Description
92110 - 01	Hydraulic Pump (ZHP-28)
92110 - 02	Hose & 1/4" Coupler
92110 - 03	10 Ton Ram 6" Stroke (ZAR-106SP)
92110 - 04	Spreader Ram
92110 - 05	Extension Tubes - 19"
92110 - 06	Extension Tubes - 14"
92110 - 07	Extension Tubes - 10"
92110 - 08	Extension Tubes - 5"
92110 - 09	Male Connector
92110 - 10	Serrated Saddle
92110 - 11	Flat Base
92110 - 12	90° "V" Base
92110 - 13	Wedge Head
92110 - 14	Spreader Plunger Toe
92110 - 15	Spreader Ram Toe
92110 - 16	Rubber Flex Head
92110 - 17	Carrying Case



**ZINKO HYDRAULIC JACK**

PO Box 4903, Ontario, CA 91761

Toll Free: 1-800-579-8088

[www.zinkojack.com](http://www.zinkojack.com)

Phone: (909) 230-4100

Fax: (909) 230-4137