



# Service Jack

Model: ZSJ-20S-3 / ZSJ-20L-2

Capacity: 2 Ton



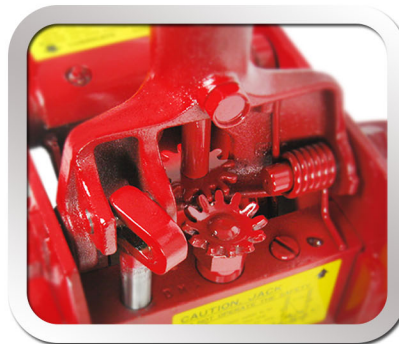
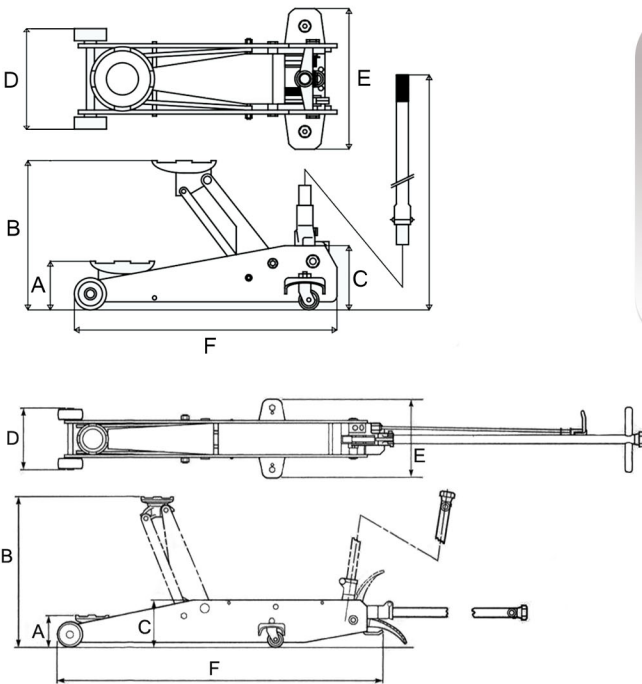
ZSJ-20S-3

## Usage:

These heavy-duty service jacks are compact and designed for use on a wide range of automobiles. From sedans to light trucks and vans, the ZSJ Series is the professional's choice for quick, efficient chassis lifting.

## Special Features:

1. Overall construction from selected steel frame, full swivel rear caster wheels.
2. Extra long chassis reaches under low overhangs.
3. Ductile steel saddle for better grip and vehicle frame protection.
4. Overload safety valve.
5. Two-piece handle for easy storage and transportation.



- Easy to use mechanical gear release assembly.



ZSJ-20L-2

Model Number	Capacity (Ton)	Min. Height (in) A	Max. Height (in) B	Stroke (in)	Frame Height (in) C	Front Wheel Width (in) D	Total Width (in) E	Total Length (in) F	Handle Length (in)	Weight (lbs)
ZSJ-20S-3	2	4.44	1.62	14.18	5.90	9.84	13.78	25.78	41.10	80
ZSJ-20L-2	2	4.56	18.74	14.18	6.30	10.24	13.75	36.22	41.10	125