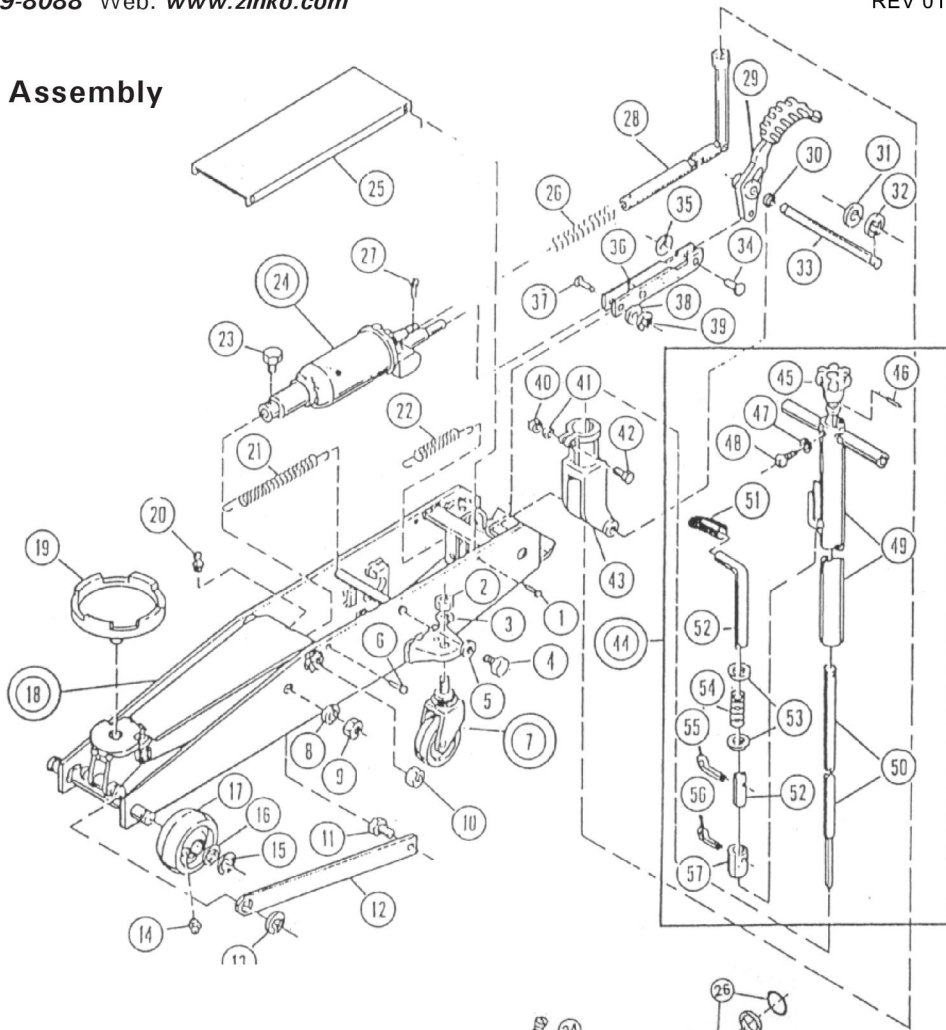
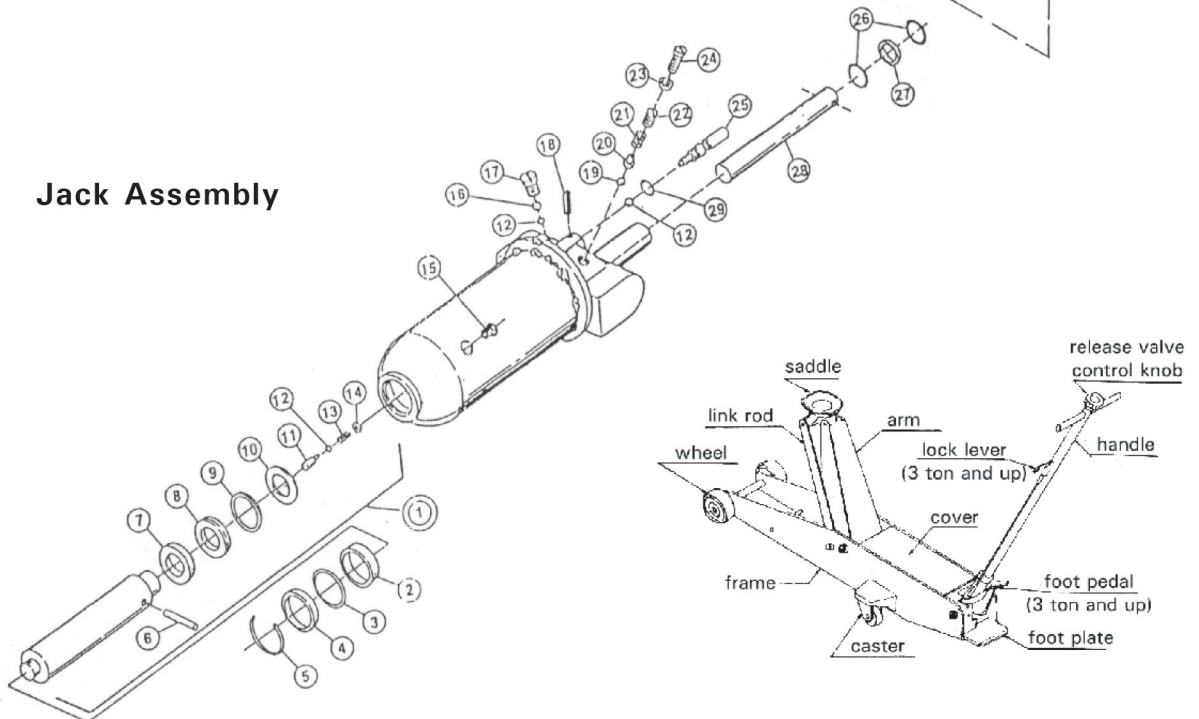


## Frame Assembly



## Jack Assembly





# ZSJ-H Series Parts Breakdown

Toll Free: 1-800-579-8088 Web: [www.zinko.com](http://www.zinko.com)

REV 010120 page 2 of 2

## Frame Assembly

#	DESCRIPTION	ZSJ-30H 9040030-	ZSJ-50H 9040050-	ZSJ-100H 9040100-
01	Rivet	01	01	01
02	Nut	02	02	02
03	Spring Washer	03	03	03
04	Bolt	04	04	04
05	Spring Washer	05	05	05
06	Screw	06	06	06
07	Rear Wheel Assy	07	07	07
08	Spring Washer	03	03	03
09	Nut	09	09	09
10	Nut	09	09	09
11	Link Rod Bolt	10	10	10
12	Link Rod	12	12	12
13	Stopper Ring	13	13	13
14	Grease Nipple	14	14	14
15	Stopper Ring	13	13	13
16	Front Collar	16	16	16
17	Front Wheel	17	17	17
18	Frame & Lift Arm Assy	18	18	18
19	Saddle	19	19	19
20	Grease Nipple	20	20	20
21	Return Spring	21	21	21
22	Pedal Spring	22	22	22
23	Bolt	23	23	23
24	Power Unit Assy	24	24	24
25	Cover	25	25	25
26	Spring	26	26	26
27	Bolt	04	04	04

#	DESCRIPTION	ZSJ-30H 9040030-	ZSJ-50H 9040050-	ZSJ-100H 9040100-
28	Universal Joint	28	28	28
29	Pedal Spring	29	29	29
30	Dry Bearing	30	30	30
31	Washer	31	31	31
32	E-Ring	32	32	32
33	Shaft	33	33	33
34	Link Pin	34	34	34
35	Push Nut	35	35	35
36	Link	36	36	36
37	Pump Plunger Pin	37	37	37
38	Washer	31	31	31
39	Stopper Ring	39	39	39
40	Nut	09	09	09
41	Washer	31	31	31
42	Bolt	04	04	04
43	Handle Socket	43	43	43
44	Handle Assy	44	44	44
45	Grip	45	45	45
46	Spring Pin	46	46	46
47	Spring Washer	08	08	08
48	Screw	06	06	06
49	Handle	49	49	49
50	Release Rod	50	50	50
51	Tube	51	51	51
52	Lever	52	52	52
53	Washer	31	31	31
54	Lock Spring	54	54	54
55	Cotter Pin	55	55	55
56	Cotter Pin	55	55	55
57	Lock Pin	57	57	57

## Jack Assembly

#	DESCRIPTION	ZSJ-30H. 9040030-	ZSJ-50H 9040050-	ZSJ-100H 9040100-
01	Ram Assy	P01	P01	P01
02	Stopper Ring	P02	P02	P02
03	*Cylinder O-ring	P03	P03	P03
04	Stuffing Ring	P04	P04	P04
05	Snap Ring	P05	P05	P05
06	Horizontal Pin	P06	P06	P06
07	Packing Seat	P07	P07	P07
08	*Back Up Ring			
09	*Ram O-Ring			
10	Ram O-Ring Stopper	P10	P10	P10
11	Vertical Pin	P11	P11	P11
12	Ball	P12	P12	P12
13	Ram Spring	P13	P13	P13
14	Ram Spring Stopper	P14	P14	P14
15	*Oil Plug			

#	DESCRIPTION	ZSJ-30H. 9040030-	ZSJ-50H 9040050-	ZSJ-100H 9040100-
16	Ball	P16	P16	P16
17	Plug	P17	P17	P17
18	Spring Pin	P18	P18	P18
19	Ball	P19	P19	P19
20	Ball Seat	P20	P20	P20
21	Spring	P21	P21	P21
22	Safety Valve Plug	P22	P22	P22
23	*Packing			
24	Safety Valve Plug	P24	P24	P24
25	Release Stem	P25	P25	P25
26	*Pump O-Ring			
27	*Back Up Ring			
28	Pump Plunger	P28	P28	P28
29	*O-Ring			
	Repair Kit (All * Above)	RP	RP	RP